



GEARHEADS Frame size 80mm sq. (3.15 in. sq.)

METAL TYPE & BALL BEARING TYPE

▶ **RATED TORQUE OF GEARHEAD**

MODEL	Speed(rpm)	500	300	200	120	100	60	50	30	20	15	10	9
	Ratio	50Hz	3	5	7.5	12.5	15	25	30	50	75	100	150
	60Hz	3.6	6	9	15	18	30	36	60	90	120	180	200
L8HK□M	kg-cm	4.7	7.9	11.8	19.7	23.7	35.6	42.7	64.4	80	80	80	80
	N-m	0.46	0.77	1.16	1.93	2.32	3.49	4.19	6.31	7.84	7.84	7.84	7.84
L8HK□B	oz-in	66	110	165	274	329	494	593	894	1111	1111	1111	1111

- * The normal torque is that the motor and gearhead are directly coupled.
- * Insert the denominator of reduction ratio in □ of gearhead model name.
- * Actual rotation speed is 2~15% less than synchronous speed.
- * ■Color indicates that the rotation of gearhead shaft is in opposite direction as output shaft of motor.

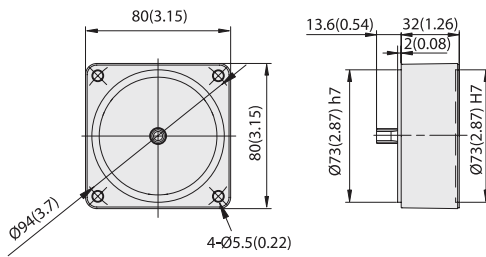
TERMINAL BOX TYPE
REVERSIBLE MOTORS

DIMENSIONS

Unit : mm(inch)

DECIMAL GEARHEAD

L8G10D

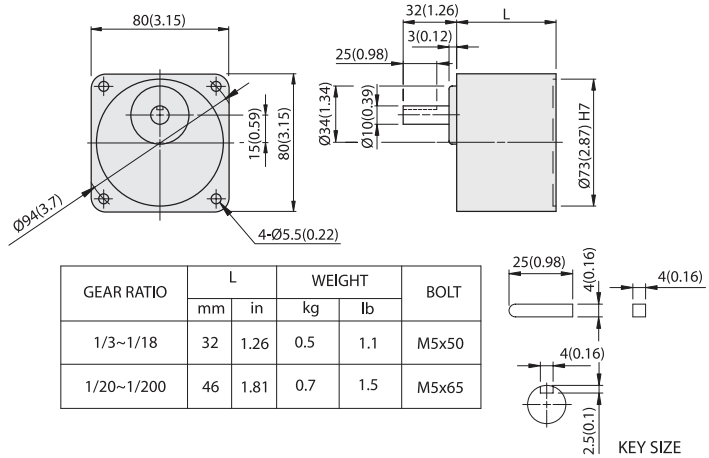


WEIGHT 0.4kg(0.88 lb)



GEARHEAD

L8HK□M(B)



L8HK□M(B) + L8R25P□LTB

